

# ***Barramento Múltiplo Isolado BMI SLVC - Chardon***



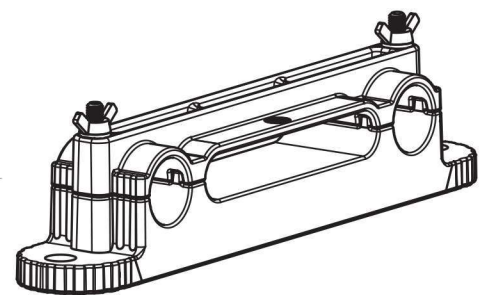
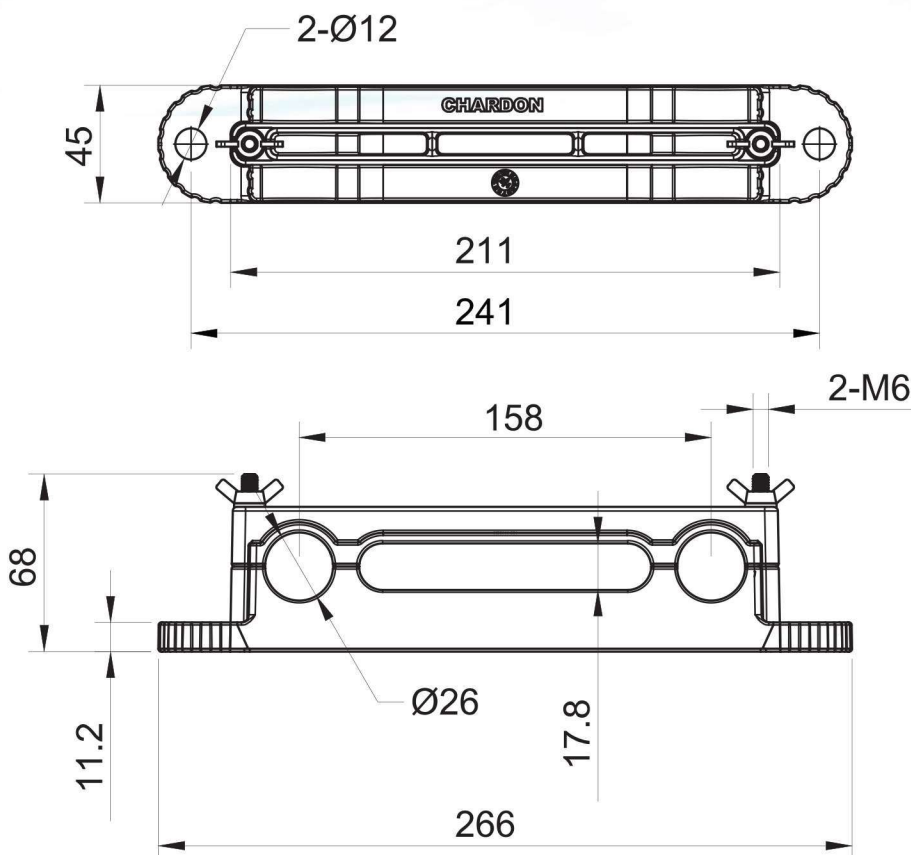
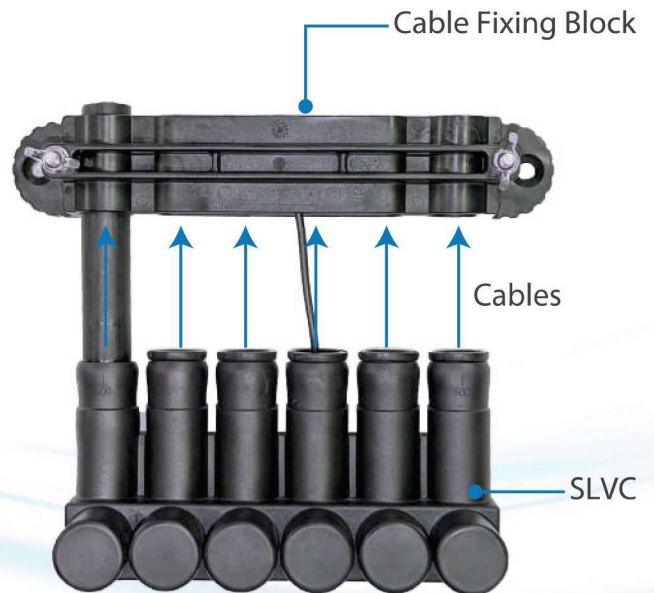
## OPTIONAL: CABLE FIXING BLOCK

The Cable Fixing Blocks can be used together with the SLVC to secure and guide low voltage cables with an outer diameter of up to  $\text{\O}26.5$  in underground distribution networks. They are especially useful for routing cables toward insulated multiple busbars or transformer feeds. Their robust construction and reliable

performance make them an ideal complement to the SLVC line, especially in applications requiring organized cable routing and mechanical stability.

## CHARACTERISTICS

- ! Made of high-strength material.
- ! Equipped with stainless steel locking clips.
- ! Detachable design for quick and easy installation.
- ! Helps organize and secure cable paths toward insulated busbars.
- ! Resistant to moisture, corrosion, and UV exposure.



Part number for ordering: LVCFB

## GENERAL

The Chardon Submersible Low Voltage Connector (SLVC) provides superior electrical performance and reliability in a wide range of environments. The design incorporates high quality TPE insulation and aluminum alloy for

reliable conductivity and part strength. The adaptable cable sleeves design allows application on a wide range of conductor sizes. It fully meets the requirements of ANSI C119.1 and ANSI 119.4 standards.

## APPLICATION & BENEFITS

### / Moisture seal in harsh environments

By being fully submersible, the SLVC keeps your cable ends sealed and protects them from corrosion, ensuring years of reliable service and grid integrity, while maintaining a low profile that allows it to fit in tight spaces.

### / Ideal for URD systems

Superior electrical performance and reliability in a wide range of environments. With its unique design, the SLVC offers high resistance to shock, impacts, as well as high thermal stability and moisture seal. This makes it ideal for application in underground residential and commercial distribution systems.



### / Application: Residential Installation

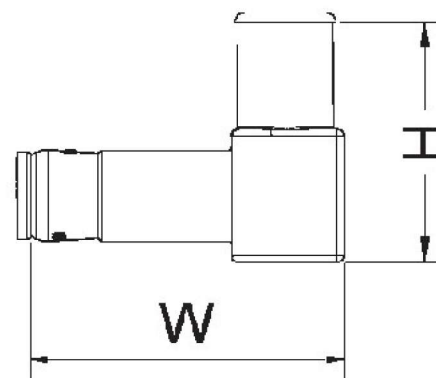
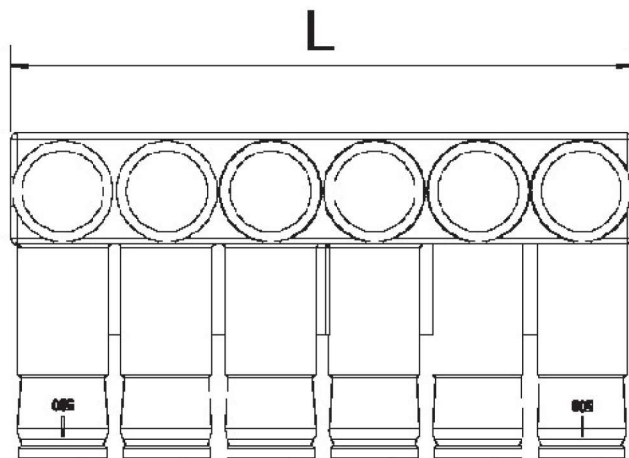
Chardon SLVCs installed Guayaquil, Ecuador, a city with high humidity and occurrence of flooding. The SLVCs hold out well in humid weather, requiring little maintenance.



### / Efficient & Safe LV distribution

Every tap serves a user in the residential or commercial power grids, efficiently delivering and distributing power from the main grid to end users.

# ORDERING INFORMATION



Catalog Number	NO. of Cond.	Cond.Range	H	W	L
		AWG	Dimensions-Inches		
		mm <sup>2</sup>	Dimensions-(mm)		
SLVC-J4-500MCM	4	#12-500MCM	2.91	3.80	5.03
		4mm <sup>2</sup> -240mm <sup>2</sup>	74.00	96.50	128.0
SLVC-J6-500MCM	6	#12-500MCM	2.91	3.80	7.56
		4mm <sup>2</sup> -240mm <sup>2</sup>	74.00	96.50	192.0
SLVC-J8-500MCM	8	#12-500MCM	2.91	3.80	10.07
		4mm <sup>2</sup> -240mm <sup>2</sup>	74.00	96.50	256.0

**Note:** If a Cable Fixing Block is required, please specify it when placing your order using Part Number **LVCFB**.



SLVC-J8-500MCM



SLVC-J6-500MCM



SLVC-J4-500MCM



GRUPO

**enercom**

**37**  
ANOS

EXPERIÊNCIA  
E INOVAÇÃO  
CONSTANTE.



**+55 11 2919-0911**  
[www.enercom.com.br](http://www.enercom.com.br)



Acesse nossas redes: